

Fig. 46

6. Assembly of upper connectors of the section

- by means of assembly screws, fix the upper connector of section D1 with the post in a distance equalling the width of channel section B1 counted from the upper (skew) edge of channel section B.
- Keep the symmetry axis of already mounted elements - Fig. 46
- fix a connector to another post in a similar way

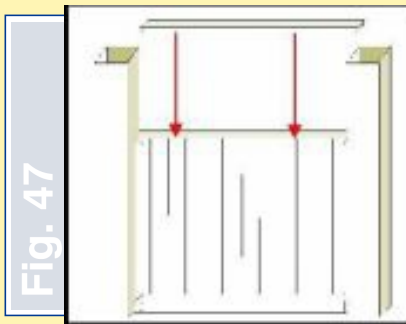


Fig. 47

7. Assembly of the upper fixing cross-piece (C) and decorative caps

- accordingly to the point 2 fix channel section B1 to the cross-piece C
- then in the prepared connectors install upper cross-piece (C) together with the channel section B1 - Fig. 47 (to make the fixing easier one of the posts may be gently turn aside)
- if using posts made by Royal Europa, fix decorative caps by means of glue. It is recommended to use the colourless glue Cosmofen Plus - Fig. 47a

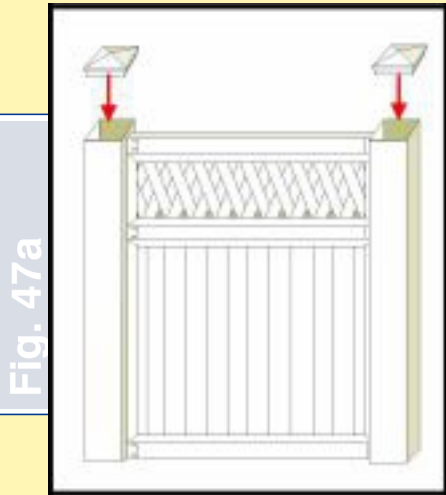


Fig. 47a

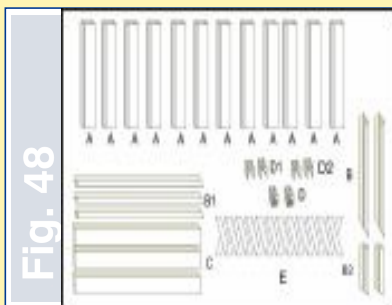


Fig. 48

VIII. Hoarding open-work fencing

1. Each cardboard box contains - Fig. 48

- 12 panels (A)
- 2 fixing cross-pieces (C)
- 1 cross-piece with the reinforcement
- 8 channel sections (B, B1, B2)
- 6 connectors (D, D1, D2)
- grid (E)
- assembly screws

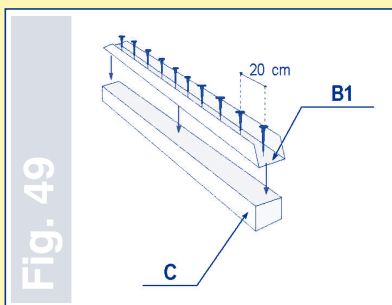


Fig. 49

2. Lower fixing cross-piece (C1)

- screw channel section B1 to the fixing cross-piece (C1) using assembly screws in a distance of every 20 cm - Fig. 49

NOTE: Take care that channel section B1 extends outside the edge of a fixing strip C by a distance W equalling the thickness of the wall of connector D - Fig. 49a

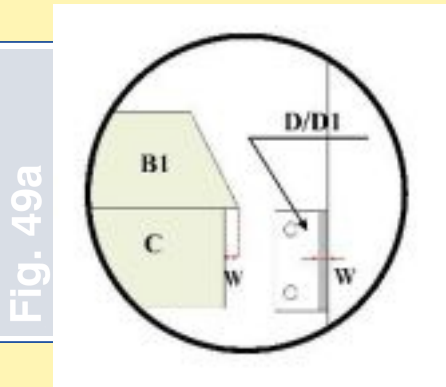


Fig. 49a

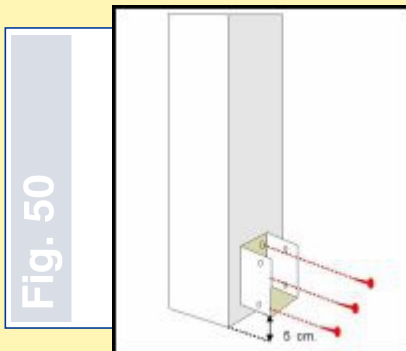


Fig. 50

3. Assembly of the lower cross-piece to a post

- in compliance with the post symmetry axis and in a distance of 5 cm of the ground, fix the lower connector of the section (D) with the post. Perform the same activities in a case of another post keeping similar distances and the level - Fig. 50

- then, put a previously prepared lower cross-section (C1 with the reinforcement) in connectors (D) - Fig. 51

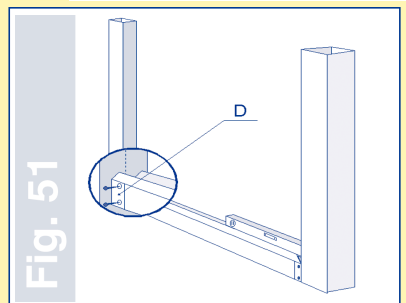
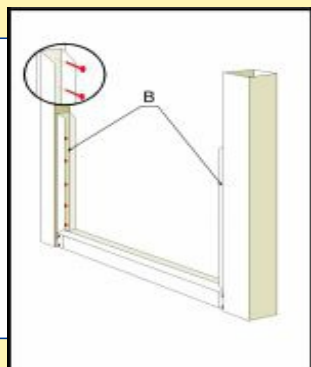


Fig. 51

ogrodzenioplastikowe

Fig. 52



4. Assembly of channel sections to posts

- keeping the symmetry axis and perpendicular to a previously fixed cross-piece, screw a channel section marked as (B) to the post by means of 6 assembly screws. The recommended distance between the screws is 20 cm - Fig. 52

5. Assembly of panels in a ready framework

- put previously prepared panels, subsection 2, in the framework fixed on the posts - Fig. 53

Fig. 53

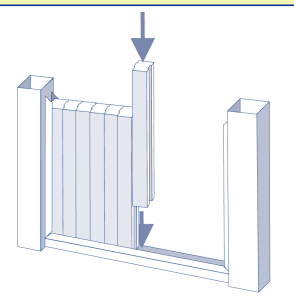
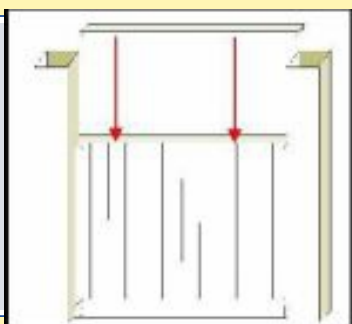


Fig. 54



6. Assembly of middle connectors of the section

- put channel section B1 on the panels from the top accordance with Figure 54

- fix the middle connector of the section (D) to the post directly upon the upper edge of the channel section (B1) by means of assembly screws. Keep the symmetry axis of already mounted elements - Fig. 55

- repeat the activities also for the other post keeping the level (check with a mason's level)

- then, put a fixing strip C with channel section D 1 in thus prepared connectors in accordance with Figure 56

Note: In order to strengthen the structure you can use glue to fix channel section B1 (assembled in subsection 6) to cross-piece C

Fig. 55

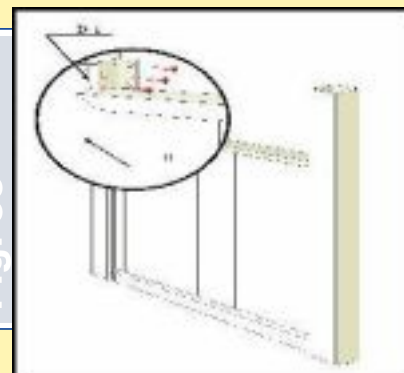


Fig. 56

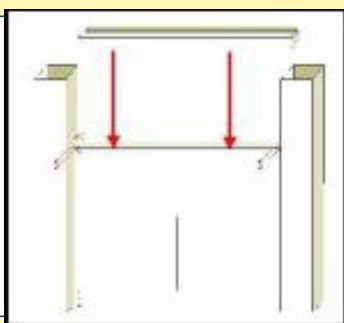
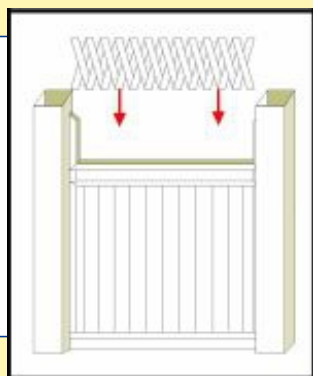


Fig. 58

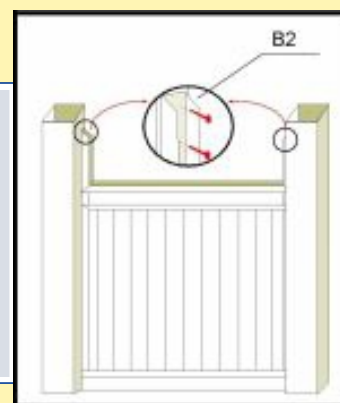


7. Assembly of upper channel sections to posts

- keeping the symmetry axis and perpendicular to a previously fixed elements, screw a channel section marked as B2 to the post by means of assembly screws. The recommended distance between the screws is ca. 20 cm

- repeat the above activity also for the other post - Fig. 57

Fig. 57

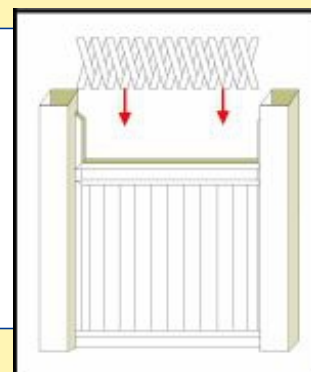


8. Assembly of the grid

- put the grid in guides previously prepared with channel sections as in Figure 58

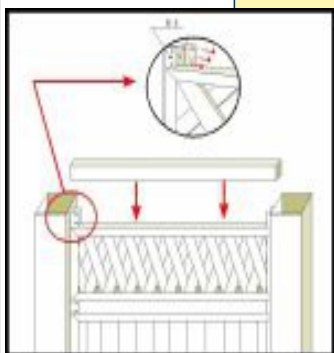
- then, put channel section B1 on the upper edge of the grid - Fig. 59

Fig. 59



ogrodzeniastylkowe

Fig. 60



9. Assembly of upper connectors and the upper strengthening cross-piece

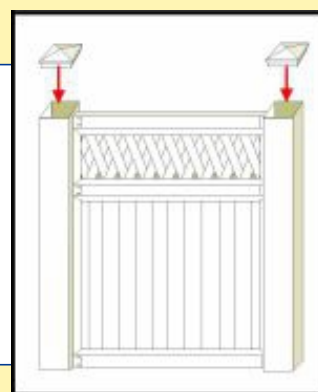
- after assembly of the grid and the channel section, fix the upper connector of the section (D2) with the post directly over the channel section (B1) mounted in subsection 9 - Fig. 60
- another step is an assembly of the upper strengthening cross-piece (C) to the posts by means of previously prepared connectors - Fig. 60

Note: In order to strengthen the structure you can use glue to fix channel section B1 (assembled in subsection 9) to cross-piece C.

10. Assembly of the decorative caps

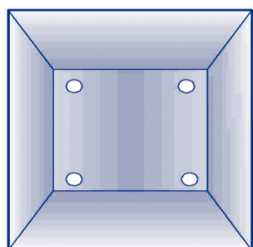
- if using posts made by Royal Europa, fix decorative caps by means of glue - Fig. 61

Fig. 61



Assembly of gates and wickets

Fig. 62



1. Assembly of posts using the anchor for fixing in concrete

- a) follow instructions in sec. I and II. Figure 62 shows a general view of the anchor

- b) in a place prepared for assembly purposes, place an anchor and mark in the ground places to drill holes Fig. 63

Fig. 63

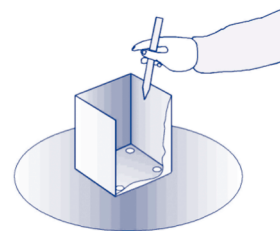
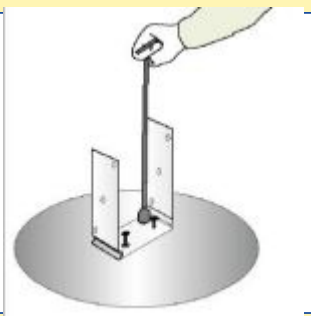


Fig. 64



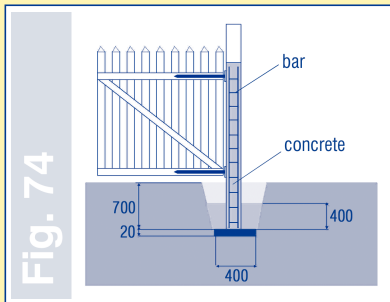
- c) in marked places drill holes by means of an impact drill to fix rawplugs (recommended are rawplugs 10 x 12 mm) - Fig. 64. Insert rawplugs in prepared holes

Fig. 65

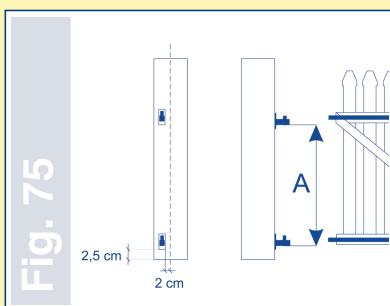


- d) place an anchor and fix it to the ground by screws - Fig. 65

ogrodzeni plastikowe

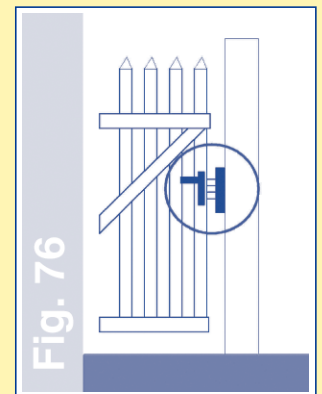


- it is recommended to pour a post with concrete to the height of 2 cm above the post reinforcement (about 10 cm above the upper hinge)
- gates and wickets should be fixed to posts not earlier than 14 days of post concreting. It should be remembered that concrete B15 obtains its full resistance after 28 days therefore a given gate or wicket should not be loaded during the time - Fig. 74



4. Fixing of hinges

- Fix the gate/wicket to the post starting the assembly from the lower hinge (using rawplugs 8 # 100 mm) in a distance of ca. 2,5 cm of the ground level and 2 cm the post's axis. Then, fix the other hinge in a distance marked on a drawing as A. The distance differs in a case of specific gates/wickets and equals a distance between hinges placed on a wing of the gate/wicket - Fig. 75



5. Fixing of catch of a lock

- Catch of the lock is fixed as the last element. It should be mounted on a height of a lock in the wicket using rawplugs 8 # 100 mm so as suitable elements sliding out of the lock in the wicket could be on the same height as elements of the catch fixed to the post - Fig. 76

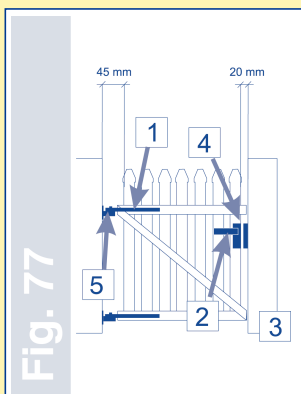


Figure 77 - Elements of the wicket's assembly kit

1. Strap hinge with a hook for wickets
2. Door handle with a board
3. Sunk-in Lock
4. Catch
5. Hook for the strap hinge

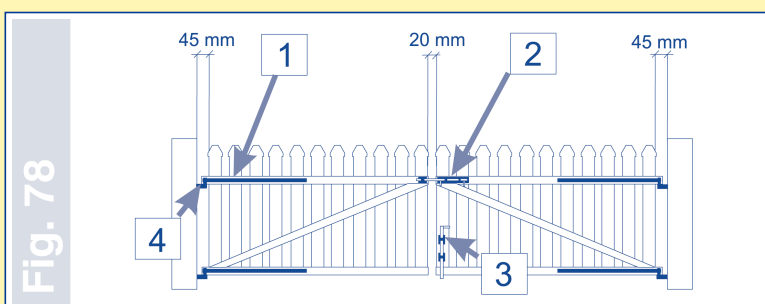
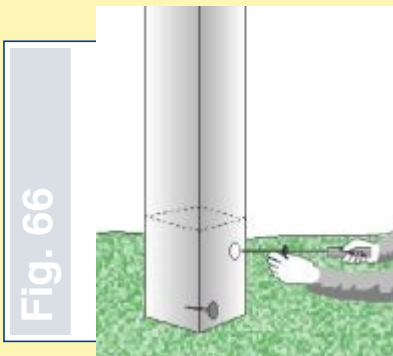


Figure 78 - Elements of the gate's assembly kit

1. Strap hinge with a hook for gates
2. Latch for two-wing gates
3. Bolt for gate
4. Hook for the strap hinge

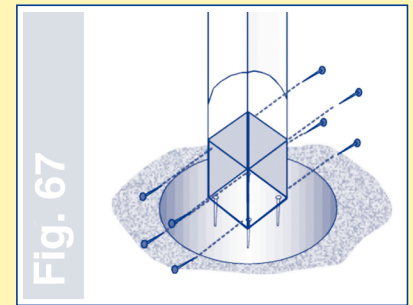
ogrodzeni plastikowe



e) fix a post on the anchor part above the ground and drill the holes by means of the borer $\varnothing 5,5$ mm and then by means of self-piercing screws fix the post to the anchor - Fig. 66

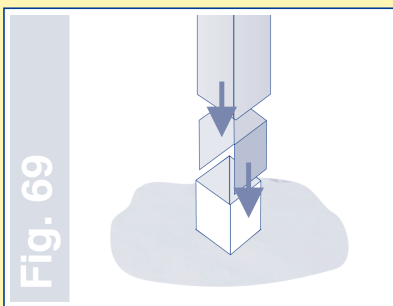
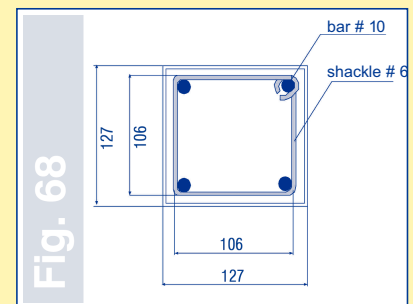
f) Fig. 67 shows a section of the correct assembly of the post and the anchor

After mounting the post on the anchor, fill it with concrete



2. Assembly of posts on the ground

- act similarly as in a case of an assembly of posts for fencing sections. It is necessary to make foundation bases together with reinforcement for mounting posts for gates and wickets. Foundation bases should be made out of concrete B15 (of wet consistency) of dimensions $0,4 \times 0,4 \times 0,4$ m (keeping at the same time dimensions of the hole in the ground specified in the instruction). The above-specified dimensions of the base are minimum ones with an assumption that the ground under the base is stable. Otherwise, it may be necessary to increase the dimensions. - Fig. 68

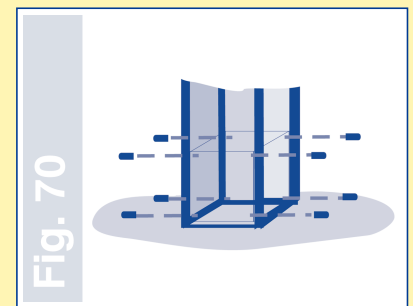


3. Assembly of posts by means of the reinforcement for gates and wickets of a height 80 - 100 cm

- Follow instructions in section 1 and sub-section a-d

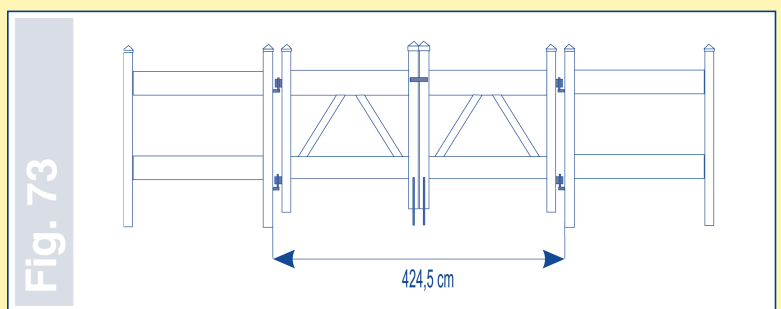
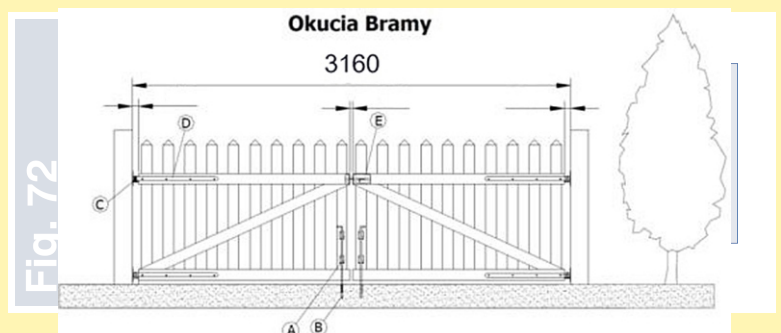
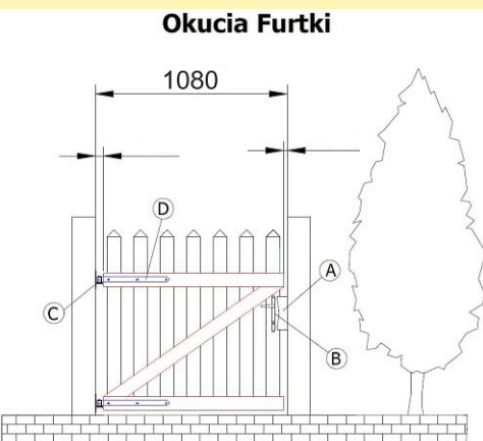
- put the steel reinforcement on the bracket, then put a post on the bracket and steel reinforcement - Fig. 69

- by means of the drill $\varnothing 5,5$ mm bore the holes through in a post, a reinforcement and a bracket, then screw post and a reinforcement to a bracket - Fig. 70



Assembly of gates and wickets

NOTE: In case of assembling wicket, posts should be removed by 108 cm, that means by a width of a wicket plus width of a hinge and a hook - Fig. 71. In case assembling gate, the distance should count for 3160 Fig. 72. Posts of farmer's gate should be removed by 424,5 cm - Fig. 73

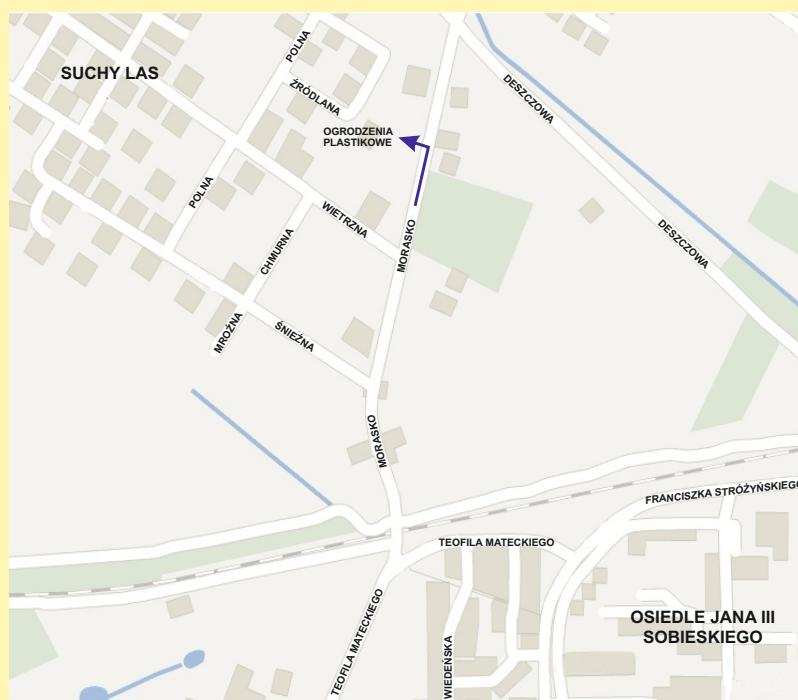


AKTE sp. z o.o.

ul. Morasko 17
61-680 Poznan

biuro@ogrodzeniaplastikowe.pl
www.facebook.com/OgrodzeniaPlastikowe

801 000 784
(61) 665 06 06
784 377 784



ogrodzeniaplastikowe.pl